

Westinghouse

| QTY. | TYPE | MODEL # |
|------|------|---------|
| | | |
| | | |

Westinghouse Lighting Solutions

ACCESSORIES FOR INDUSTRIAL LIGHTING

Occupancy Sensor Options *(For use with WLS Sensor-ready models.) (Suffix SR)*

NOTE: Add suffix SR to Light fixture model number to specify unit pre-wired for plug-in sensor assembly.

Features & Benefits

- Detects infrared energy
- Mounts to 45 feet
- Factory set at 10 minutes to keep lights on during periods of no activity
- 14° to 160° F operation unless otherwise specified
- SensorSwitch® brand featured

Ordering Information (Seperate line item)

CMRB - 6P - 277

CMRB – Highbay
Occupancy Sensor
Plug-in assembly

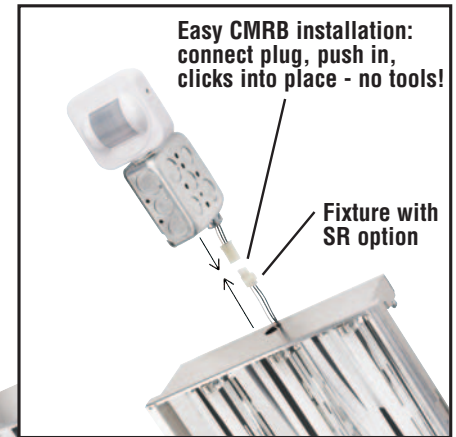
6 – Open Space
360° Field of View

50 – Aisle Application
50° Field of View

Voltage
120-277 VAC
347-480 VAC

P = Photocell Override
(for space with skylight)

No tools, CMRB
clicks into housing.



Lens Kits / Swing Door *(Available on Full-Body or Hybrid fixtures.)*

Features & Benefits

- Lens kit for food service, cold storage or dirty areas
- Steel hinged door with .125 clear acrylic lens, wired guard, or louvers.
- Cam latch

Door frame drops down
for easy lamp maintenance.

Ordering Information

DKA - H-14 - 4

H = Hybrid Body
FB = Full Body

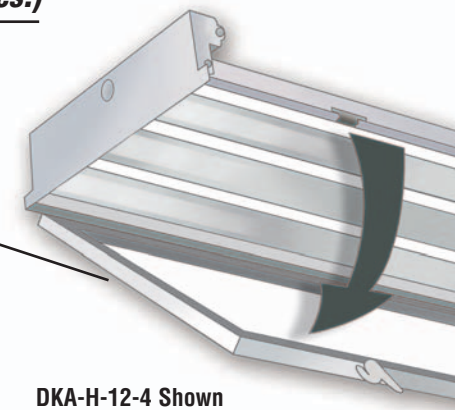
Body Style

7-Full Body 7" wide
10-Full Body 10" wide
14-Full Body 14" wide

8-Hybrid 8" wide
12-Hybrid 12" wide
14-Hybrid 14" wide
19-Hybrid 19" wide
25-Hybrid 25" wide

DKA = Lens Door Kit w/ .125 Acrylic Lens (Clear)
DKW = Lens Door Kit w/ Flat Wire Guard (Chrome)
DKL = Lens Door Kit Fitted with Louver (Specify)

4 = 4' Fixture
8 = 8' Fixture (2 Sets)



Wire Guards / Open End Wrap Style

Features & Benefits

- Chrome Finish
- Easy Attachment / Set Screw / Hardware Included
- Hinged from Either Side

Ordering Information

WGK - FB - 7 - 4

WGK = Wire Guard
(Chrome Finish)

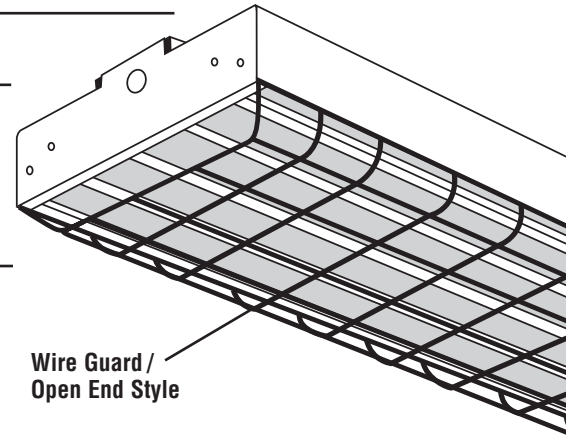
H = Hybrid Body
FB = Full Body

Body Style

7-Full Body 7" wide
10-Full Body 10" wide
14-Full Body 14" wide

8-Hybrid 8" wide
12-Hybrid 12" wide
14-Hybrid 14" wide
19-Hybrid 19" wide
25-Hybrid 25" wide

4 = 4' Fixture
8 = 8' Fixture (2 Sets)



Wire Guard /
Open End Style

WGK-FB-10-4 Shown

Note: For flat wire guard indoor frame
see DKW series

Ballast Options

Consult Factory for ballast options such as 347-480 Volt ballast or dimming ballast. WLS reserves the right to ship Advance™, Sylvania™, GE™, Universal™, or Westinghouse brand ballasts, without prior notification, unless otherwise specified.

Cord Set Options

WLS fixtures come complete with 6' black 18/3 SJT cord (whip) with leads, unless otherwise specified.

CS-SJT-TL(L7-15W)-6-18/3-300

Cord set

(specify NEMA configuration)

Voltage rating to 300w (18/3)
Voltage rating to 600w (16/3)

SJT=junior hard flex,thermoplastic
S=hard service flexible cord
E=thermoplastic elastomer insulation
O=oil resistant outer jacket
OO=oil resistant inner and outer jacket
W=Moisture & Sunlight Resistant

TL= Twist & Lock
W=whip, no plug,stripped leads
SB=standard blade

6=6' whip length
10=10'
15=15'
(Black unless otherwise specified)

18/3 gauge, typically 120v
16/3 gauge, typically 277v, 347v

Fluorescent Lamps / T5 Models

WLS Fixtures come complete with T5HO Lamps installed (4100°K /841) unless otherwise specified. Specify "850" Lamps for 5000° K or consult factory for other types. WLS reserves the right to ship Philips™, Sylvania™, GE™, or Westinghouse brand lamps, without prior notification, unless otherwise specified.



Call 1-800-671-6799 EST, 215-671-2029 outside the U.S. or log on at www.westinghouselightingsolutions.com.

Westinghouse Lighting Solutions, is an affiliate of Westinghouse Lighting Corporation, Philadelphia, PA 19154-1099, U.S.A.

Westinghouse Lighting Corporation, a Westinghouse Electric Corporation licensee.

"Westinghouse" and "You can be sure...if it's Westinghouse" are all registered trademarks of Westinghouse Electric Corporation.

You can be sure...if it's Westinghouse 