

**Insulation and
passage in "sanitary
environment" and
"food processing"**

**NERGECO
ISOFORUM
AGRO 5**



Openings up to 11'

NERGECO ISOFORUM AGRO 5

• For sanitary environments and food processing, type 304 L or 316 L stainless steel is generally specified.

Based on this principle, Nergeco first developed the AGRO 1, to be fixed on a supporting wall, followed by the self-supporting AGRO 2.

• AGRO 1 and AGRO 2 have provided food processing and sanitary environments with the first active lateral seal that can be washed completely, thanks to their patented, half-tunnel shaped runners that can be removed without tools.



• Nergeco has gone further with its new Agro 5 by incorporating a new five-year R&D program, putting Nergeco far ahead of its time.

• The company is continuously developing new multicomposite materials and designated manufacturing processes for each basic door part, which merely requires assembly.

• This is an astounding leap in new resistance technology. The product is rust-proof and more difficult to be torn away from its structure, with its wear and impact-resistant aspects (comparative table page 4).

• Furthermore, the material can be used in new forms that better meet the aesthetic and practical needs of new factories.

IsoForum Agro 5

- Frame encloses doorway
- Flexible vertical roll-up curtain
- Electrical motor on the right or the left side
- Transmitter-receiver safety photocells on each side of the curtain
- All types of activation methods are available (i.e. button, radar, pull cord, induction loops, etc.)
- Standard relay control panel or PLC (optional)
- Food contact

New Materials

“Ergonomic” shapes for crossbeam and hoods, which shelter the mechanism, motor and limit switch assembly.

This material can be used to form rounded shapes with smooth, dust-resistant surfaces, plus vertical lines that do not retain wash water (1, 2, and 3).

Multi-purpose patented vertical frame and side guides unit

This is a high-inertia composite material which allows each frame to support the door by integrating side guides, cell protectors, cable ducts and upper-level and ground connections.

Water-repellent and smooth; does not retain wash water.

Elastic: absorbs most impacts (13).

Patented end plate units with high mechanical resistance

Instead of assembling several parts for several uses, Nergeco has developed multicomposite equipment, which makes it possible to carry out all of the following operations with two left and right end plate units: mounting to wall, rolling rod, vertical frames, motor, including fall-stop devices for the rod plus supports for hoods and roll cover which protects the motor and mechanism.

This technology maximizes precision and reduces wear over time (4).

High dynamic resistance and anti-wear quality

The composite equipment designed for the rolling rod allows it to handle the motor torque without wear, as well as the screen's weight without bending, and has reduced diameter, weight and wear over time (5).

Each new material developed by Nergeco for food processing is less corrosive than the 316L.

Materials for food processing contact

Structure, mechanism and hoods allow food processing contact.

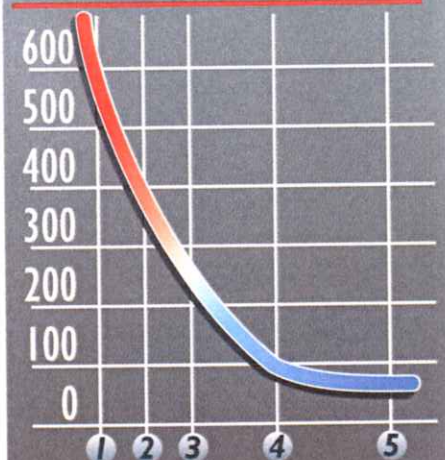
Washable in water

• Structure accessible without operation (7)



New flexible door, made high-performance sanitary and

Leak surface measured in 0.001 ft² for a 7' x 10' opening



- 1 - Open door
- 2 - PVC strip door
- 3 - PVC swing door
- 4 - Standard rolling door
- 5 - Nergeco IsoForum Agro 5

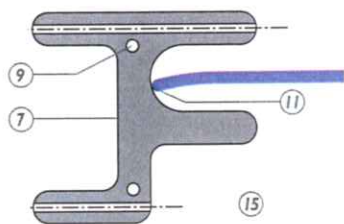
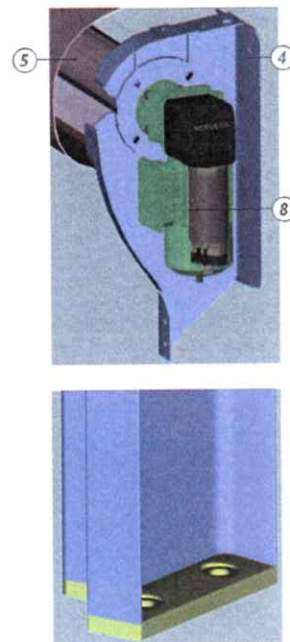
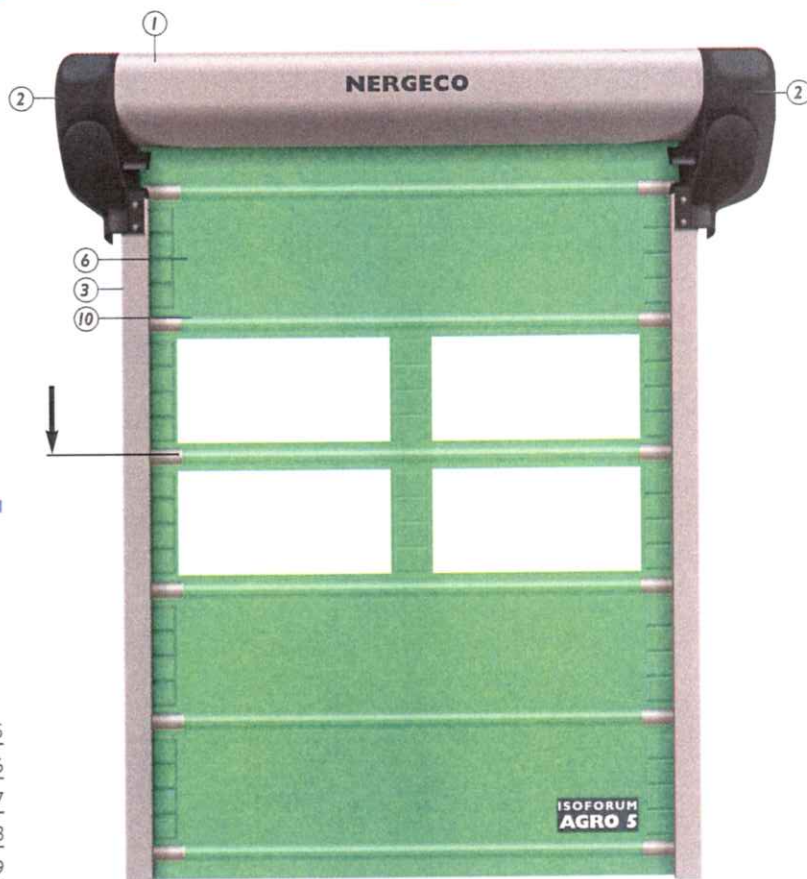
List of parts :

Roll cover	1
Motor and limit switch assembly covers	2
Vertical side guides	3
End plate units	4

- Motor and vertical limit switch assembly directly connected without chains
- Sheltered condensation-proof photo cells
- Concealed cabling
- Inclined frame bases
- Smooth screen with built-in flexible joints and sealed weld seams



Sealed, washable automatic door with new economical, maintenance, long-lasting materials for food processing environments



Accessible roll	5
Reinforced smooth curtain	6
Accessible frame	7
Motor and limit switch assembly	8
Cable ducts	9

Flexible stiffeners	10
Side seal	11
Soft flexible bottom edge	12 (back)
Absorbs impact	13
Automatic reinsertion	14

Sealing between the controlled area and room temperature

- Stiffeners provide resistance to pressure over 196 Pa
- Lateral sealing increased by close contact with frame sides (11)

The Agro 5's flexible door allows only a very slight recorded leak flow

Opens automatically without stirring air

Each time detection is activated, the opening is completely freed by means of vertical curtain rolling inside the crossbeam at the desired speed of 48 inches per second: passage occurs without contact, agitation or stirring of air.

Economical Maintenance

- Compact motorization unit inspected on test bench before assembly
- Flexible curtain, safer for users and products
- Soft flexible bottom edge designed for removal without damage in case of impact
- Automatic curtain reinsertion after impact. No intervention necessary



Comparison of 316L stainless steel with Nergesco multicomposites



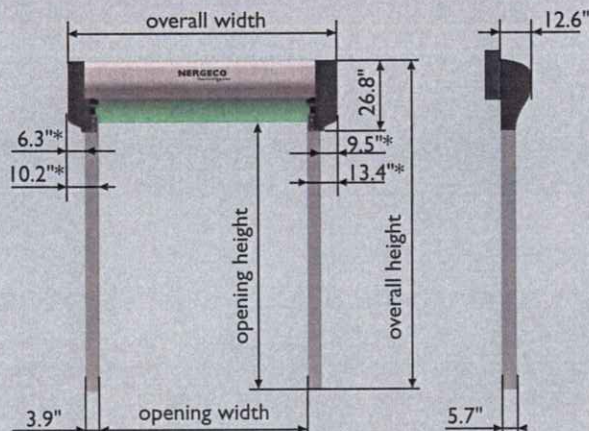
Performances took new steps forward, thanks to the use of the best materials (type 316 L stainless steel):

- ① Tearing Resistance +10%
- ② Corrosion Resistance +45%
- ③ Dynamic Resistance +380%
- ④ Impact Absorption +530%

Cost of Innovation

The marketing, maintenance and development program represented 2.2 million Euro, including 1.8 for pure research. The production investment remains confidential.

Fitting



opening height	6'	7'	8'	9'	10'	11'
opening width	7.5'	8.5'	9.5'	10.5'	11.5'	12.5'
overall height	8'	9'	10'	11'	12'	13'
overall width						

*As standard (motor fitted on the right side)

Motor

- Motor on the right side or on the left side
- Roll, motor and limit switch assembly covers as standard
- Water-resistant

Emergency Opening

- Ratchet wrench on motor gear

Control Box

- Manual or automatic operation
- NEMA 4X electromechanical or PLC (optional)

Opening Systems

Push button, motion detectors, induction loop, radio transmitters/receiver, photocell system, pull-cord and ceiling-mounted bracket, pull-cord and support bracket, etc.

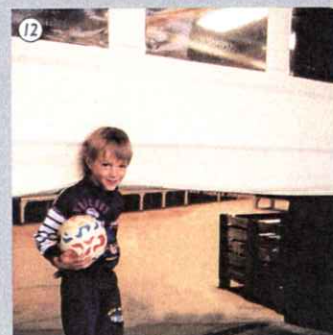
Transparency

Opaque, one, two or max rows of transparency

Colors

White RAL 9010 A	Beige RAL 1014 A	Yellow RAL 1021
Sky blue RAL 5015 A	Blue RAL 5010	Brown RAL 8017
Orange RAL 2008	Red RAL 3002	Grey RAL 7037
Green RAL 6026	Light green RAL 6018	A : Food contact approved

Frame : Grey RAL 9006 - Side covers : Grey RAL 7024



Additional Information

- The installation procedure makes it possible to solidify structure at the support surrounding the opening.
- Starting is signalled by two blinking orange lights (optional).
- Soft flexible bottom edge technology is used.
- Yellow and black paint, brushes, and stencil provided for ground marking (optional).
- Safety cells on each side of the curtain detect personnel or equipment to prevent impact.
- Maintenance and operation manuals are included.
- UL labeled and tested.

NERGECO USA

6186 CENTRE PARK DRIVE - WEST CHESTER - OH 45069 - PH. 1-888-872-0424 - FAX. 1-888-872-0454
www.nergecouusa.com