

# ***mach 1***

MODERN ENGINEERING



**G-1**

LOW-PROFILE SEMI-AUTOMATIC

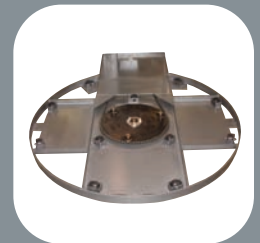
The *E-STRETCH* film carriage provides consistent film tension and stretch to securely wrap pallet loads.

- Uses 20" machine film
- Adjustable to 18" hand wrap rolls
- Adjustable film tension
- 0 to 80 % film stretch
- Rugged and low maintenance UHMW carriage guide
- Quick and easy film replacement



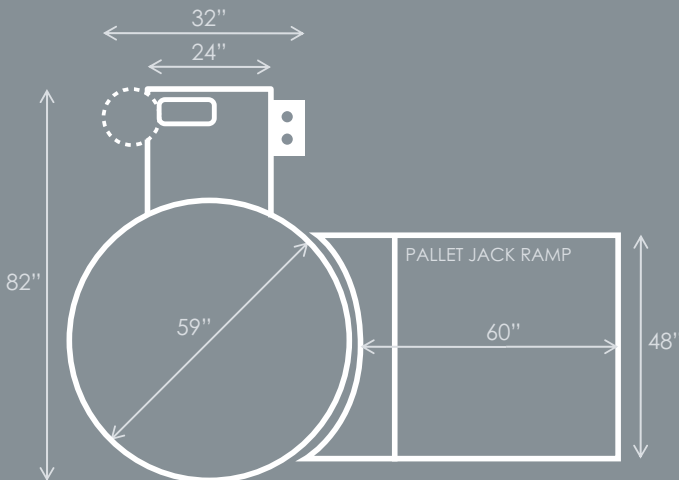
The Robust *PRO-GLIDE* turntable support system is maintenance free and features superior weight capacity.

- Structural steel frame
- Forklift portable
- Very low maintenance
- Easy access to components
- ½ HP turntable drive motor
- Heavy duty turntable chain drive
- Maintenance free turntable support casters



The *E-CONTROL* interface is simple to operate and gives the user full control of the wrapping operation.

- Adjustable film carriage speed
- Turntable soft start/stop
- Film carriage travel up/down switches
- Large emergency stop button
- Easy turntable alignment at end of cycle
- 2 adjustable speeds for turntable



### POPULAR OPTIONS

- Standard loading ramp for pallet jack
- Extended heavy duty ramp for electrical walkie
- Wrap height extension for taller pallets
- Frame extension for longer and wider pallets
- 30" film carriage

### TECHNICAL SPECIFICATIONS

Turntable Speed	Adjustable up to 14 RPM
Control Type	Manual
Max. Load Capacity	4,000 lbs
Max. Load Height	80"
Turntable Size	59" diameter
Turntable Height	3" from floor
Pre-Stretch Ratio	0 to 80 %
Max. Load Size	56" x 56"
Electrical	115/1/60 12 amp
Warranty	1 year limited
Tower Height	85"
Clearance Required	90"

**Distributed by:**

